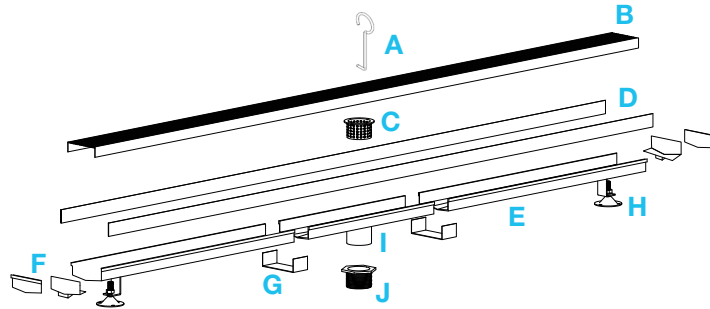


LAGOS LINEAR DRAIN ADJUSTABLE 2" OUTLET

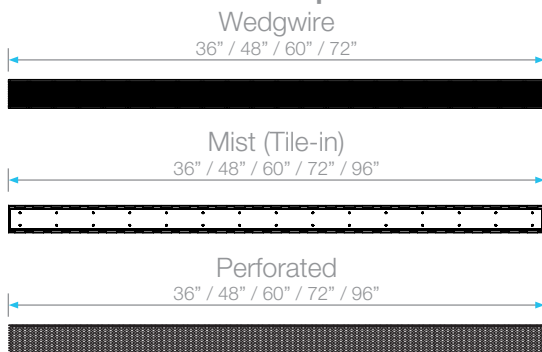
Kit Includes:

- A** Lifting Key
- B** Grate
- C** Hair/Debris Strainer
- D** Trims
- E** PVC Base
- F** Base End Cap
- G** Joiners
- H** Leveling Legs
- I** 2" Outlet
- J** Threaded Nipple / Adapter
 - + Stainless Steel Cutting Blade

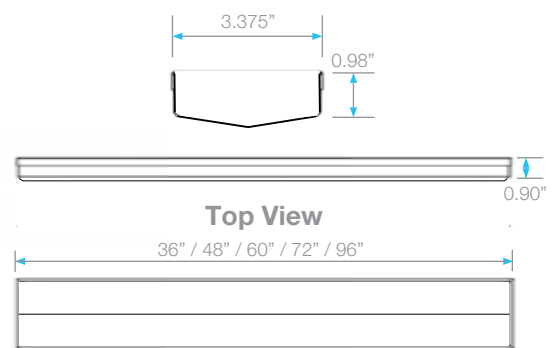


Specifications

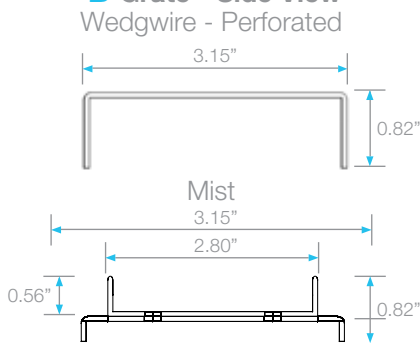
B Grate - Top View



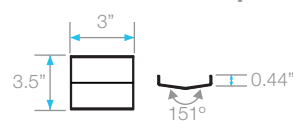
E Base - Side View



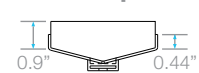
B Grate - Side View



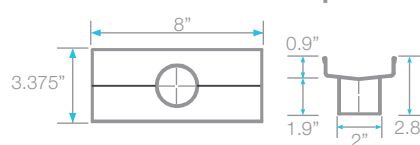
G Joiner - Side & Top View



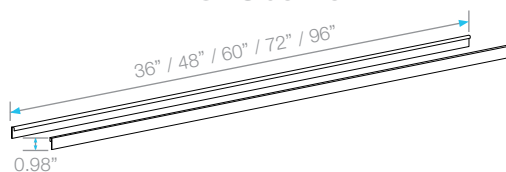
F Base End Cap - Side View



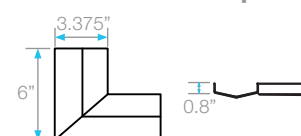
I 2" Outlet - Side & Top View



D Trims - Side View



Corner - Side & Top View



Lagos Series Features

- 16 gauge 316 Stainless Steel Grate = 1.5 mm.
- PVC Base = 3 mm.
- Works with 2" ABS, PVC or Cast Iron shower drain flange (not included).
- Standard Finishes: Satin and Polished.
- Grate can be removed completely for cleaning.
- Hair Strainer Basket comes with every drain, fits inside the drain to collect hair and other debris, preventing pipe clogs.
- Lagos Series is intended for use with traditional waterproofing methods.

Adjustable Complete Kit

	Length	Satin SKU	Polished SKU
Wedgwire 	36"	88.610.36	88.610.36 P
	48"	88.610.48	88.610.48 P
	60"	88.610.60	88.610.60 P
	72"	88.610.72	88.610.72 P
	96"	88.610.96	88.610.96 P
Perforated 	36"	88.620.36	88.620.36 P
	48"	88.620.48	88.620.48 P
	60"	88.620.60	88.620.60 P
	72"	88.620.72	88.620.72 P
	96"	88.620.96	88.620.96 P
Mist (Tile-in) 	36"	88.630.36	88.630.36 P
	48"	88.630.48	88.630.48 P
	60"	88.630.60	88.630.60 P
	72"	88.630.72	88.630.72 P
	96"	88.630.96	88.630.96 P

Kit includes

- Lifting Key
- Trims
- Joiners
- Threaded Nipple/Adapter
- Grate
- PVC Base
- Leveling Legs
- Stainless Steel Blade
- Hair/Debris Strainer
- Base End Cape
- 2" Outlet

Add to Kit



Drain Flange	SKU
2" PVC	83.100.00 PVC
2" ABS	83.100.00 ABS
2" Cast Iron No hub	83.100.01
2" Cast Iron FIP	83.100.01F

Note: 72" and *96" Kit includes two outlets, two hair strainers, two pair of joiners and two adapters. 96" Wedgwire Kit has two 48" grates. Choose the kit with equal or greater size than the length wanted; for longer lengths drain connect kits to build the desire length. Installer must verify all rough-in dimensions prior to installation and consult local and national codes. Conformity and compliance to local and national codes are the responsibility of the installer. Dimensions are subject to Manufacturers tolerance and change without notice. We can assume no responsibility for use of superseded or void data.