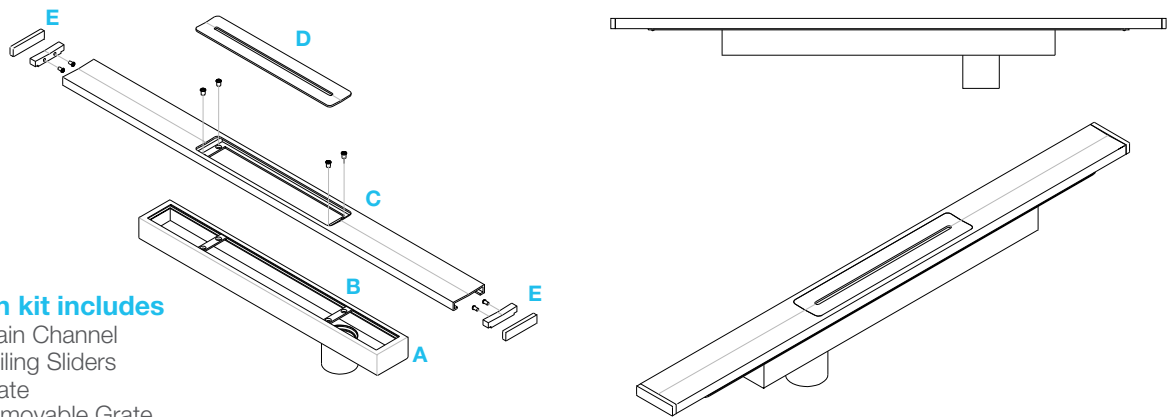


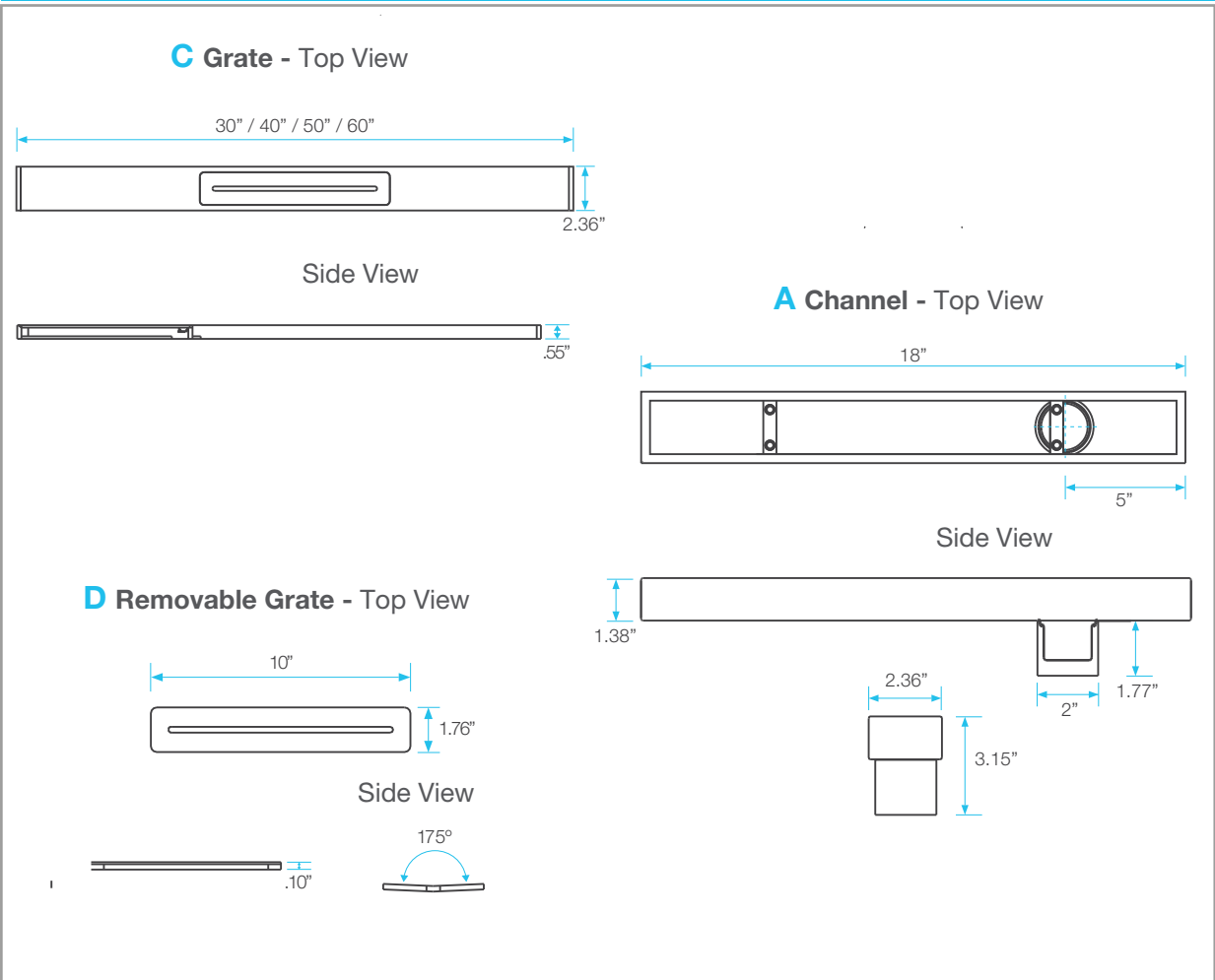
DELMAR LINEAR DRAIN SUPREME LINE



Drain kit includes

- A** Drain Channel
 - B** Railing Sliders
 - C** Grate
 - D** Removable Grate
 - E** Grate End-Cap
- + Screws, Sikaflex, Hair Strainer, Key, Level, Wedges, Stainless Steel Blade

Specifications









Delmar Series Features

- 13 gauge 316 Stainless Steel Grate = 2.5 mm.
- 18 gauge 316 Stainless Steel Base = 1.2 mm.
- Works with 2" ABS, PVC or Cast Iron shower drain flange (not included).
- Standard Finishes: Satin, Polished, Satin Gold and ORB/Black.
- Hair Strainer Basket comes with every drain, fits inside the drain to collect hair and other debris, preventing pipe clogs. Optional.
- Delmar Series is intended for use with traditional waterproofing methods.


Supreme Complete Kit

	<p>Satin Finish</p> <table border="1" style="width: 100%; border-collapse: collapse;"> <thead> <tr> <th>SKU</th> <th>Length</th> </tr> </thead> <tbody> <tr> <td>33.800.30</td> <td>30"</td> </tr> <tr> <td>33.800.40</td> <td>40"</td> </tr> <tr> <td>33.800.50</td> <td>50"</td> </tr> <tr> <td>33.800.60</td> <td>60"</td> </tr> </tbody> </table>	SKU	Length	33.800.30	30"	33.800.40	40"	33.800.50	50"	33.800.60	60"		<p>Satin Gold Finish</p> <table border="1" style="width: 100%; border-collapse: collapse;"> <thead> <tr> <th>SKU</th> <th>Length</th> </tr> </thead> <tbody> <tr> <td>33.800.30 G</td> <td>30"</td> </tr> <tr> <td>33.800.40 G</td> <td>40"</td> </tr> <tr> <td>33.800.50 G</td> <td>50"</td> </tr> <tr> <td>33.800.60 G</td> <td>60"</td> </tr> </tbody> </table>	SKU	Length	33.800.30 G	30"	33.800.40 G	40"	33.800.50 G	50"	33.800.60 G	60"
SKU	Length																						
33.800.30	30"																						
33.800.40	40"																						
33.800.50	50"																						
33.800.60	60"																						
SKU	Length																						
33.800.30 G	30"																						
33.800.40 G	40"																						
33.800.50 G	50"																						
33.800.60 G	60"																						
	<p>Polished Finish</p> <table border="1" style="width: 100%; border-collapse: collapse;"> <thead> <tr> <th>SKU</th> <th>Length</th> </tr> </thead> <tbody> <tr> <td>33.800.30 P</td> <td>30"</td> </tr> <tr> <td>33.800.40 P</td> <td>40"</td> </tr> <tr> <td>33.800.50 P</td> <td>50"</td> </tr> <tr> <td>33.800.60 P</td> <td>60"</td> </tr> </tbody> </table>	SKU	Length	33.800.30 P	30"	33.800.40 P	40"	33.800.50 P	50"	33.800.60 P	60"		<p>ORB/Black Finish</p> <table border="1" style="width: 100%; border-collapse: collapse;"> <thead> <tr> <th>SKU</th> <th>Length</th> </tr> </thead> <tbody> <tr> <td>33.800.30 ORB</td> <td>30"</td> </tr> <tr> <td>33.800.40 ORB</td> <td>40"</td> </tr> <tr> <td>33.800.50 ORB</td> <td>50"</td> </tr> <tr> <td>33.800.60 ORB</td> <td>60"</td> </tr> </tbody> </table>	SKU	Length	33.800.30 ORB	30"	33.800.40 ORB	40"	33.800.50 ORB	50"	33.800.60 ORB	60"
SKU	Length																						
33.800.30 P	30"																						
33.800.40 P	40"																						
33.800.50 P	50"																						
33.800.60 P	60"																						
SKU	Length																						
33.800.30 ORB	30"																						
33.800.40 ORB	40"																						
33.800.50 ORB	50"																						
33.800.60 ORB	60"																						

Kit includes

- Drain Channel
- Railing
- Grate Cover
- Removable Grate
- Key
- Level
- Grate End-Cap
- Screws
- Sikaflex
- Hair Strainer
- Wedges
- Stainless Steel Blade

Add to Kit

	<table border="1" style="width: 100%; border-collapse: collapse;"> <thead> <tr> <th>Drain Flange</th> <th>SKU</th> </tr> </thead> <tbody> <tr> <td>2" PVC</td> <td>83.100.00 PVC</td> </tr> <tr> <td>2" ABS</td> <td>83.100.00 ABS</td> </tr> <tr> <td>2" Cast Iron No hub</td> <td>83.100.01</td> </tr> <tr> <td>2" Cast Iron FIP</td> <td>83.100.01F</td> </tr> </tbody> </table>	Drain Flange	SKU	2" PVC	83.100.00 PVC	2" ABS	83.100.00 ABS	2" Cast Iron No hub	83.100.01	2" Cast Iron FIP	83.100.01F
Drain Flange	SKU										
2" PVC	83.100.00 PVC										
2" ABS	83.100.00 ABS										
2" Cast Iron No hub	83.100.01										
2" Cast Iron FIP	83.100.01F										

Note: Installer must verify all rough-in dimensions prior to installation and consult local and national codes. Conformity and compliance to local and national codes are the responsibility of the installer. Dimensions are subject to Manufacturers tolerance and change without notice. We can assume no responsibility for use of superseded or void data.