

Delmar Series Linear Drain Standard Length. Standard installation for wood sub-floor

Step 1. Determine where the drain will be positioned, frame out shower surround as required.

Step 2. Connect drain flange body **A** to the drain pipe, leaving drain bolts in place. Block drain opening with rag to prevent floor mortar blocking pipe work.

Step 3. Trowel mortar onto subfloor **B**, pitch at a 1/4" per foot slope in direction towards the shower base.

Step 4. Install waterproof membrane **C**, reinforce around outlet and cut carefully to expose heads of drain bolts and outlet. Install clamping ring **D**.

Step 5. Test membrane for leaks.

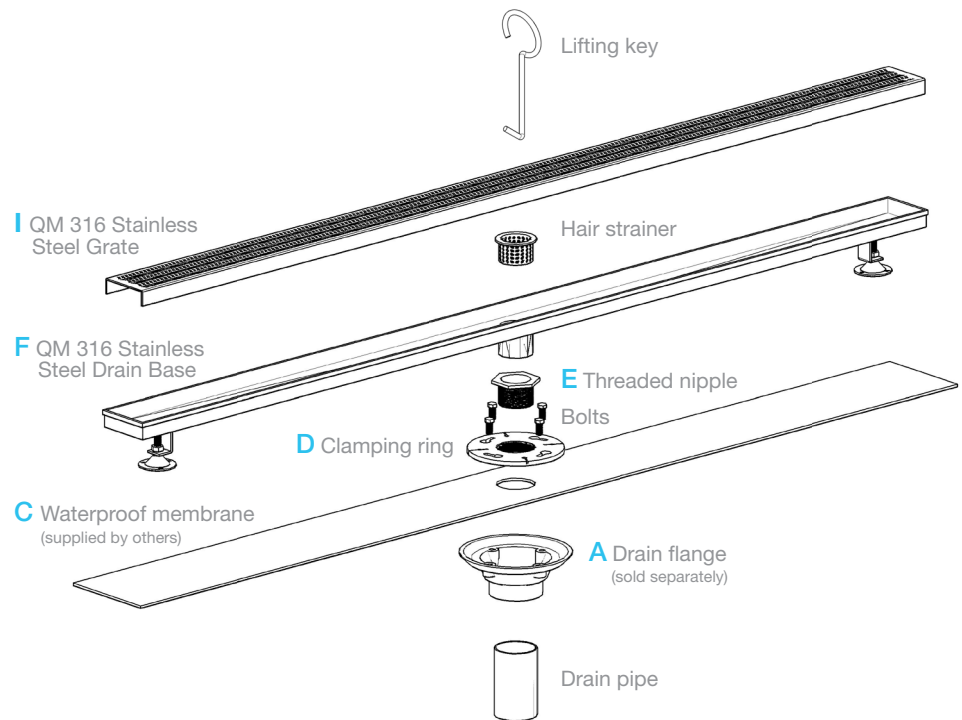
Step 6. Screw threaded nipple **E** into the drain flange, adjust to desired height.

Step 7. Place the drain channel **F** into the threaded nipple. Use the adjustable feet to keep the drain channel in the correct position and level.

Step 8. Trowel mortar to required height **G**.

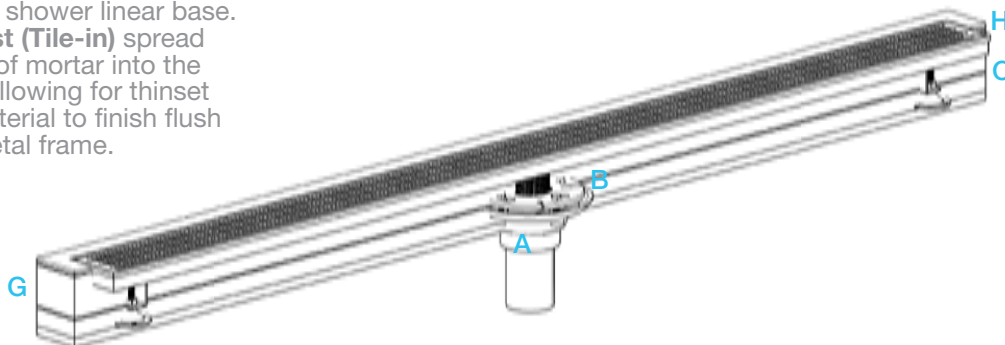
Step 9. Once floor mortar has cured, apply thin set and install tile and grout **H**.

Step 10. Install the grate **I** into the shower linear base. **For Mist (Tile-in)** spread a layer of mortar into the grate, allowing for thinset and material to finish flush with metal frame.



Note:

- Waterproof membrane should be installed and tested per manufacturer's instructions and local building and plumbing codes.
- QM recommends this product to be installed by a licensed contractor.
- QM drain fits into most common 2" ABS, PVC or Cast Iron shower drain flange.
- Hair Strainer basket fits inside the drain to collect hair and other debris preventing pipe clogs. Empty basket as needed to maintain optimal performance. The use of the basket is optional.
- Lifting key assists with grate removal.
- Failure to achieve adequate floor slope will result in standing water problems or slow water flow.



Watch Installation Video