

Delmar Series Linear Drain. Adjustable

Step 1. Determine where the drain will be positioned, frame out shower surround as required.

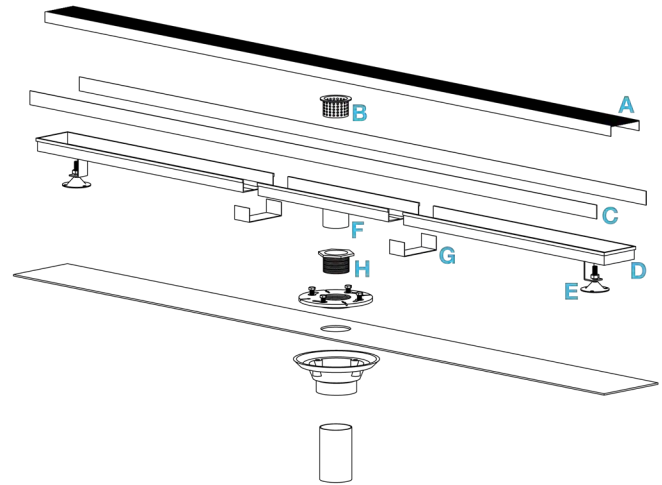
Step 2. Connect drain flange body to the drain pipe, leaving drain bolts in place. Cover the drain opening to prevent floor mortar blocking pipe work.

Step 3. Trowel mortar onto subfloor, pitch at a 1/4" per foot slope in direction towards the shower base.

Step 4. Install waterproof membrane, reinforce around outlet and cut carefully to expose heads of drain bolts and outlet. Install clamping ring.

Step 5. Test membrane for leaks.

Step 6. Screw threaded nipple into the drain flange, adjust to desired height **H**.



Kit Sizes: 36", 48", 60", 72" & 96"

Kit Includes:

- A** QM 316 Stainless Steel Grate
- B** Hair Strainer
- C** Trim
- D** QM 316 Stainless Steel Drain Base
- E** Leveling Legs
- F** Outlet
- G** Joiners
- H** Threaded Nipple /Adapter
- + Key + Sikaflex Sealant + Stainless Steel Cutting Blade

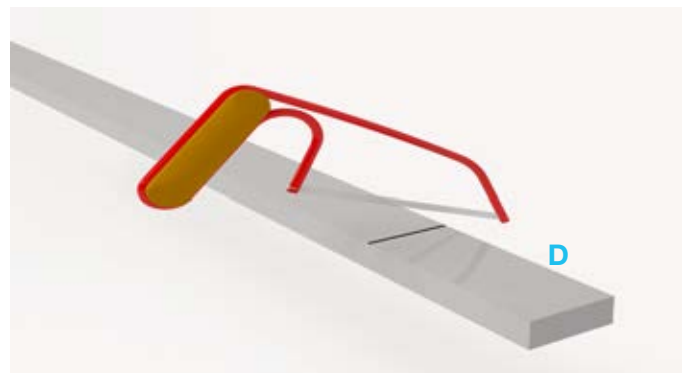


Step 8. Calculate finished drain length, allowing for wall & tile thickness and 8" for the outlet section **F**. For full drain length, cut the channel where the center of the outlet section **F** will be placed. For shorter length, remove equal amounts (half of total amount to be removed) from each cut of channel. Example: if 4" needs to be removed, cut 2" from each side **D**.

Tool: Use enclosed Stainless Steel cutting blade or a Handheld Hacksaw with 32 TPI for cleanest cut.

Tips:

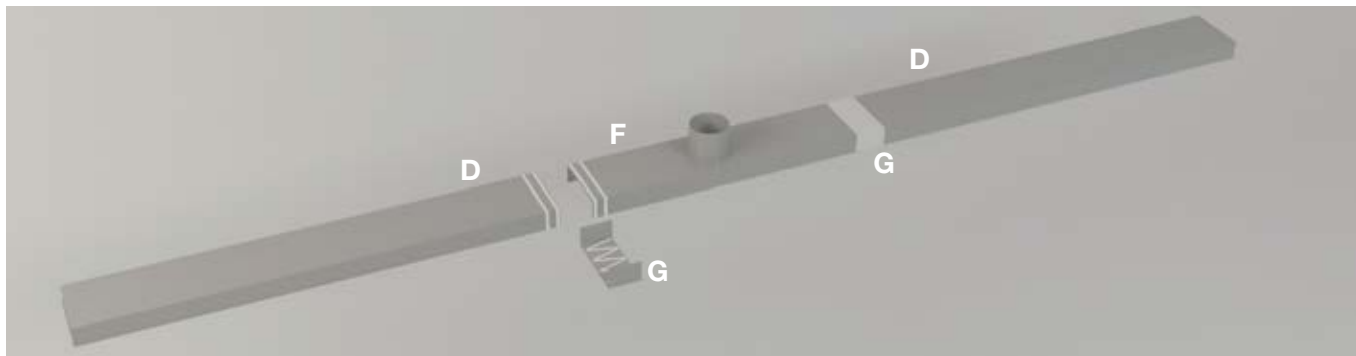
- a) Draw a straight line on the back of the channel where the cut will be made.
- b) Clamp channel to stable, level surface for cutting.
- c) Apply WD-40 lubricant for ease of sawing.
- d) Cut drain channel at 45° angles. Use a 30° angle on corners.
- e) Gently file edges with a carpenter file.
- f) Do not bend or pull away pieces being cut from channel, allow cut pieces to fall away.



Step 9. Clean all parts. On a flat, stable surface, align the cut ends of the channel with the outlet section **F**. To join the channel pieces **D** to the outlet **F**, attach joiner strips **G** to the underside of the seams, using provided Sikaflex 1A construction sealant. Remove any Sikaflex spill over. Allow to dry minimum of 8 hours before handling.

Tips:

a) Use Denatured Alcohol to clean.



Step 10. Apply Sikaflex 1A sealant to trim **C** pieces and fit them onto the longer outer edge of the channel **D**. Remove any Sikaflex spill over. Allow to dry minimum of 8 hours before handling.

Tips: Cover the inside of the base with blue painter tape to avoid staining the base with sealant residual.

Step 11. Place the drain channel into the threaded nipple **H**. Use the adjustable feet **E** to keep the drain channel into the correct position and level.

Step 12. Trowel mortar to required height

Step 13. Once floor mortar has cured, apply thin set and install tile and grout

Step 14. Place the grate into the channel. Note: the grate might need to be cut to fit inside the channel easily. **For Mist** spread a layer of mortar into the grate, allowing for thinset and material to finish flush with metal frame.

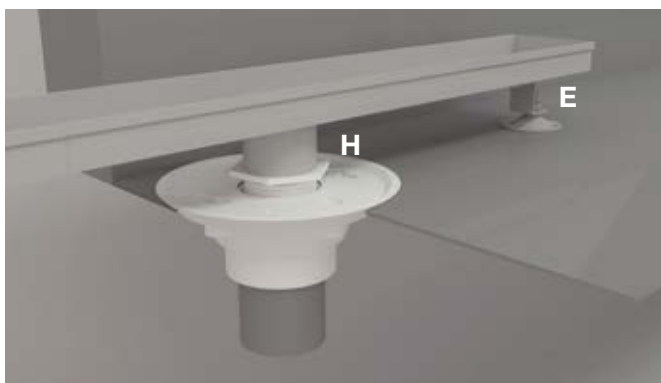
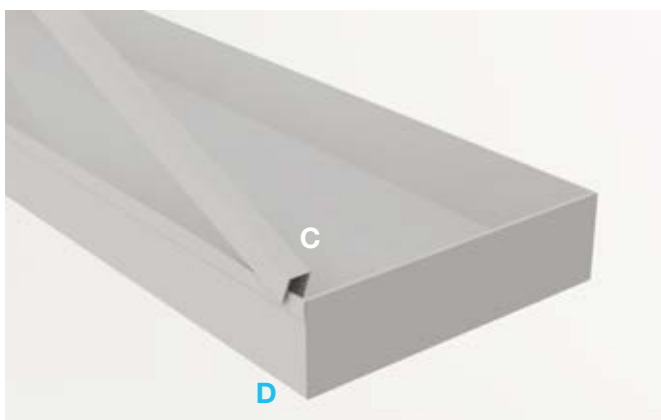
Tool: Use enclosed Stainless Steel cutting blade or a Handheld Hacksaw with 32 TPI for cleanest cut.

Tips:

- Draw a straight line where the cut will be made.
- Clamp grate to stable, level surface for cutting.
- Apply WD-40 lubricant for ease of sawing.
- Cut drain channel at 45° angle.
- Gently file edges with a carpenter file.
- Do not bend or pull away cut sections, allow them to fall away.

Note:

- Hair Strainer basket fits inside the drain to collect hair and other debris preventing pipe clogs. Empty basket as needed to maintain optimal performance. The use of the basket is optional.
- Waterproof membrane shall be installed and tested per manufacturer's instructions and local building and plumbing codes.
- QM recommends this product to be installed by a licensed contractor.
- QMDrain fits into most common 2" ABS, PVC or Cast Iron shower drain flange.
- Lifting key assists with grate removal.
- Failure to achieve adequate floor slope will result in standing water problems or slow water flow.



Watch Installation Video